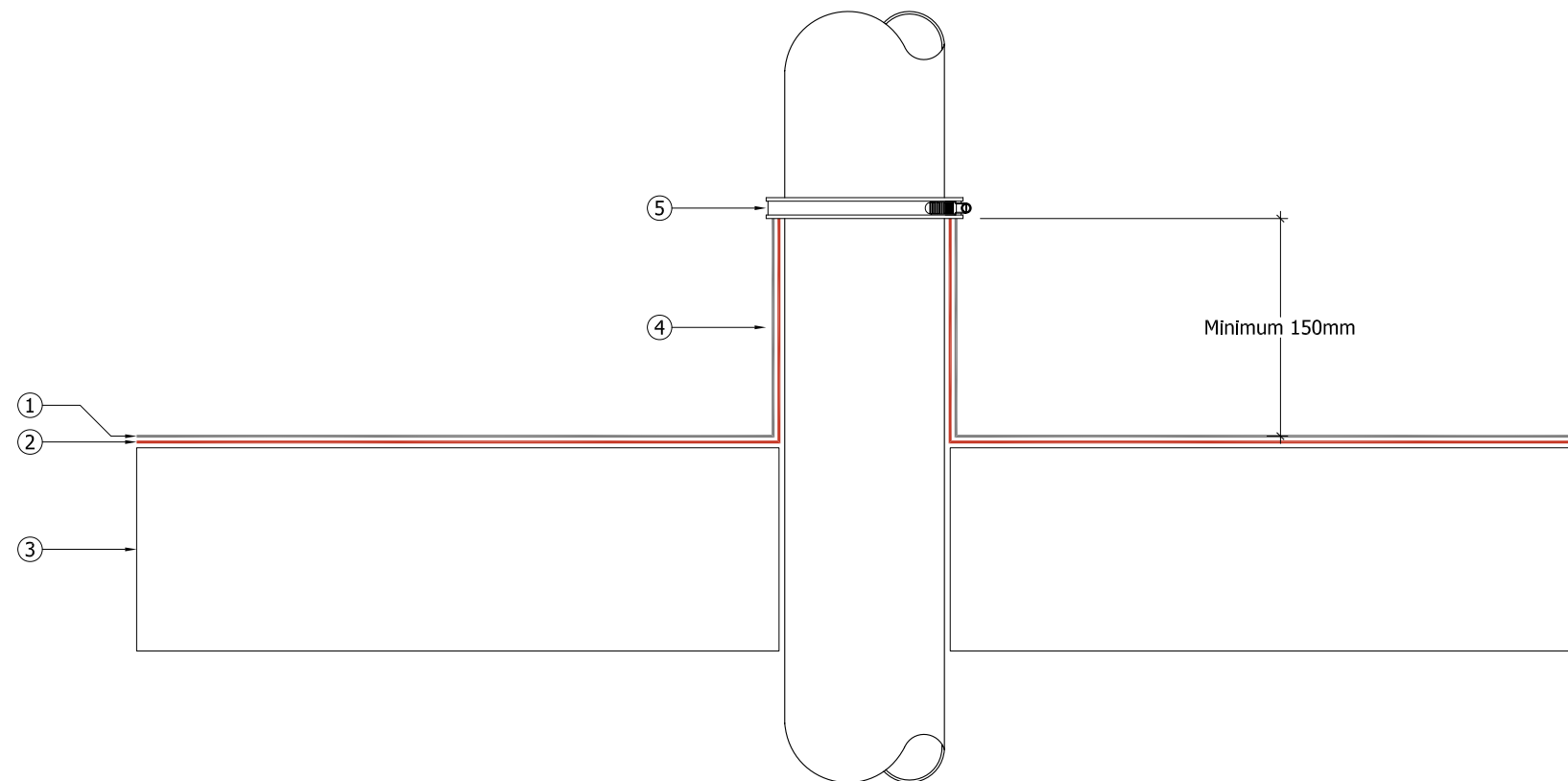


Key

- ① — Decothane Top Coat as per Sika Liquid Plastics Project Specification
- ② — Decothane Base Coat with embedded Reemat Premium GFM
- ③ Existing substrate prepared and primed in strict accordance with Sika Liquid Plastics Project Specification
- ④ Fully reinforced Waterproofing System applied to prepared primed penetrations with consideration to differential movement at the junction; Heavy Duty Reemat Flexitape localised reinforcement used where appropriate
- ⑤ Proprietary O clip applied to the cured Waterproofing System to prevent exposed-edge disbondment



Sika Liquid Plastics  
Sika House  
Miller Street  
Preston  
Lancashire PR1 1EA  
Telephone: 01772 259781  
Email: [technical.customer.services@uk.sika.com](mailto:technical.customer.services@uk.sika.com)  
Web: [www.liquidplastics.co.uk](http://www.liquidplastics.co.uk)

This drawing is solely intended to illustrate the correct application of Sika Liquid Plastics products and systems, it must be read in conjunction with the appropriate specification and current issue of relevant Technical Data Sheets. All elements bearing reference to structural and/or thermal design are shown indicatively and **should not be used** in whole or in part for any aspect of project design without consulting the relevant authorities.

For refurbishment projects, all aspects of the existing roof are deemed to be fully compliant with BS 6229:2003 [Code of Practice for Flat Roofs with Continuously Supported Coverings] or improved upon for instances where these standards are not met.

Site-specific details not covered by our range of Standard Details can be obtained by providing relevant information to the email address shown.

Project N<sup>o</sup>

DWG N<sup>o</sup> Revision

Project:

Drawing Title:  
Waterproofing Termination Detail  
to a typical circular penetration

Scale: NTS @ A3 Drawn:

Date:

